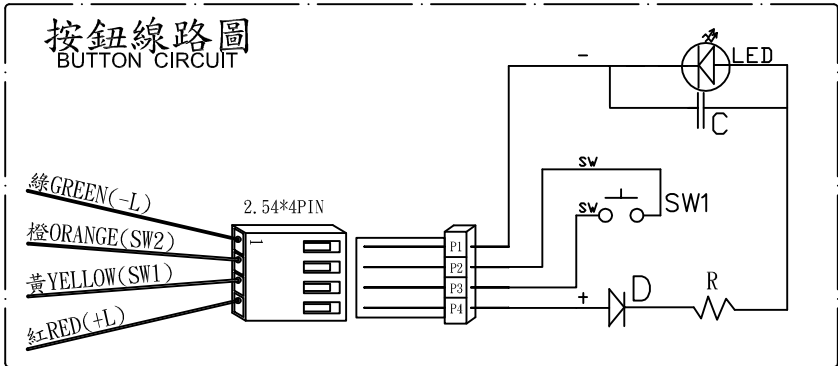
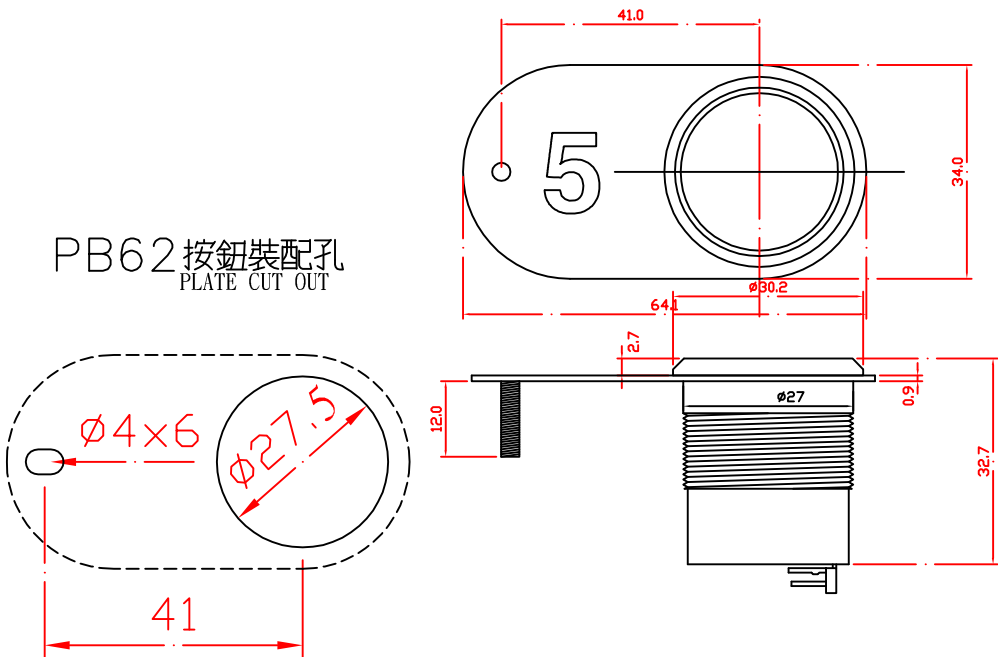


TD00PB62B PB62\*615B

|    |    |           |        |       |        |         |          |           |       |      |      |        |         |           |        |       |        |        |
|----|----|-----------|--------|-------|--------|---------|----------|-----------|-------|------|------|--------|---------|-----------|--------|-------|--------|--------|
| A4 | mm | LENGTH    | 0.5-10 | 10-30 | 30-100 | 100-350 | 350-1000 | RAD./CHAM | 0.5-3 | 3-6  | 6-30 | 30-120 | 120-300 | ANGLE     | 0.5-10 | 10-50 | 50-120 | 20-200 |
|    |    | TOLERANCE | ±0.1   | ±0.2  | ±0.3   | ±0.5    | ±0.8     | TOLERANCE | ±0.2  | ±0.5 | ±1   | ±2     | ±4      | TOLERANCE | ±0.2   | ±0.5  | ±1     | ±2     |



PB62 按鈕裝配孔  
PLATE CUT OUT



注意:  
REMARK

|                     |  |
|---------------------|--|
| 電壓<br>VOLTAGE       | DC24V  |
| 燈負載<br>LED LOAD     | MAX 20mA   |
| 接點容量<br>CAPACITANCE | DC24V 50mA   |
| 附線線長<br>WIRE LENGTH | L=40cm   |
| 表面展示<br>FINISH      | 髮紋不銹鋼<br>HAIRLINE STAINLESS STEEL  |
| *燈色<br>LED LAMP     | 紅色(R <sub>ED</sub> ) 綠色(G <sub>REEN</sub> )<br>黃色(Y <sub>ELLOW</sub> ) 藍色(B <sub>LUE</sub> ) |

|  |             |             |            |      |
|--|-------------|-------------|------------|------|
| 圖面                                       | 審核(APPROVE) | 確認(CHECKED) | DATA       | PAGE |
| 按鈕 型式:PB62*615B<br>PUSH BUTTON TYPE      | LIN         | YANG        | 2007/04/10 | 1/1  |
| TD 通達機電有限公司<br>Tung Da Electric Co., Ltd | 繪圖(DRWN)    | 圖號(DWG. NO) |            |      |
|  | Arthur      | TD00PB62B   |            |      |