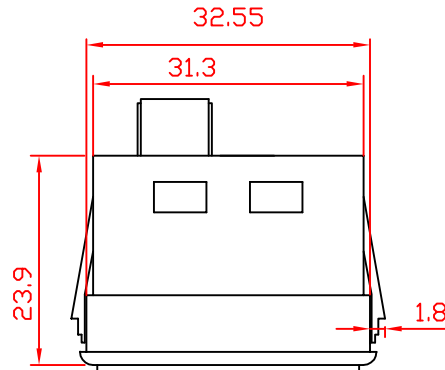


TD00PB11A PB11R645

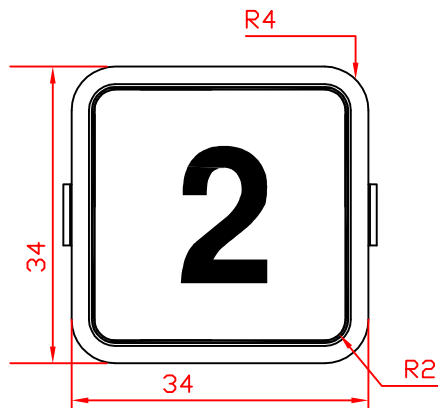
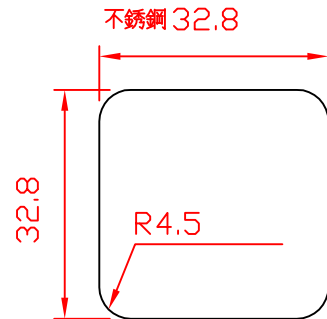
A4

mm

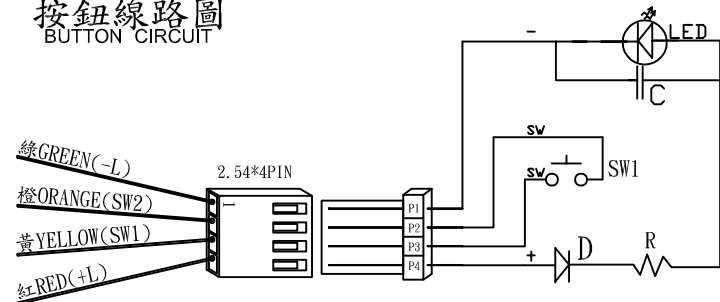
| | | | | | | | | | | | | | | | | |
|-----------|--------|-------|--------|---------|----------|-----------|-------|------|------|--------|---------|-----------|--------|-------|--------|---------|
| LENGTH | 0.5-10 | 10-30 | 30-100 | 100-350 | 350-1000 | RAD./CHAM | 0.5-3 | 3-6 | 6-30 | 30-120 | 120-300 | ANGLE | 0.5-10 | 10-50 | 50-120 | 120-200 |
| TOLERANCE | ±0.1 | ±0.2 | ±0.3 | ±0.5 | ±0.8 | TOLERANCE | ±0.2 | ±0.5 | ±1 | ±2 | ±4 | TOLERANCE | ±0.2 | ±0.5 | ±1 | ±2 |



PB11 按鈕裝配孔
PLATE CUT OUT



按鈕線路圖
BUTTON CIRCUIT



注意:
REMARK

| | |
|---------------------|---|
| 電壓 VOLTAGE | DC12V OR DC24V |
| 燈負載 LED LOAD | MAX 45mA OR 32mA |
| 接點容量 CAPACITANCE | DC24V 50mA |
| 附線線長 WIRE LENGTH | L=40cm |
| 表面展示 FINISH | 髮紋不銹鋼 STAINLESS STEEL TO HAIRLINE SILVER |
| *燈色 LED LAMP | 紅色 (RED) |

| | | | | |
|--|--------------|--------------|------------|------|
| 圖面 | 審核 (APPROVE) | 確認 (CHECKED) | DATA | PAGE |
| 按鈕 型式: PB11R645 PUSH BUTTON TYPE | LIN | YANG | 2007/04/10 | 1/5 |
| TD 通達機電有限公司 Tung Da Electric Co., Ltd | 繪圖 (DRWN) | 圖號 (DWG. NO) | | |
| | Arthur | TD00PB11A | | |